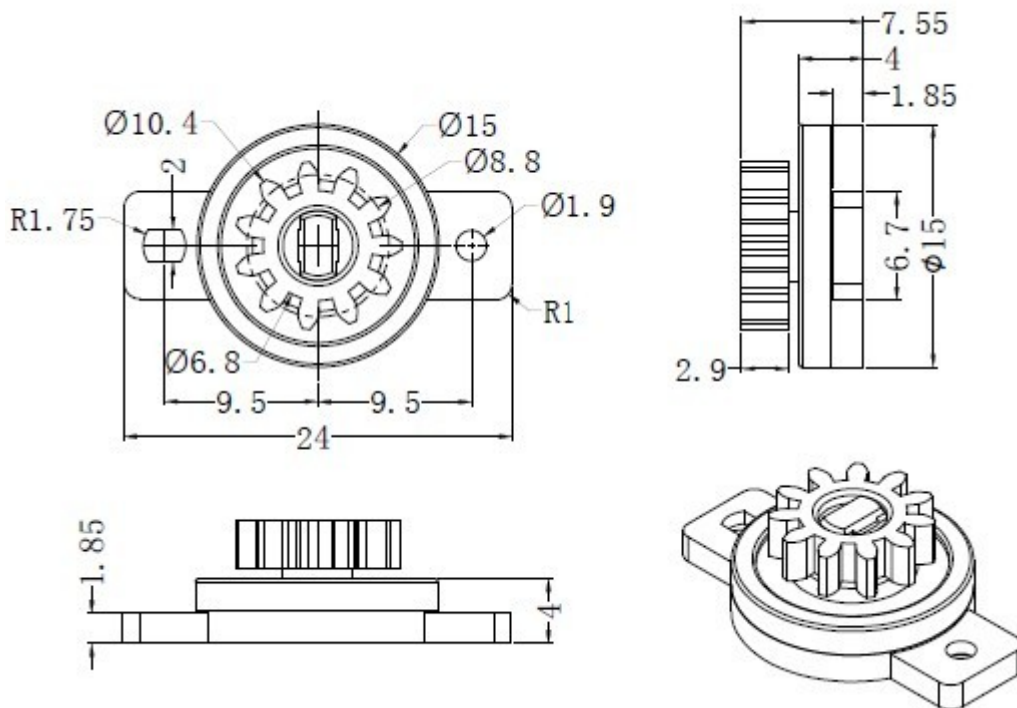


Dongguan Longji Plastic Electronic CO.,LTD

Picture



Outline Drawing



Parameter and Materia

Model	Gear number	Pitch circle	Presser angel	Torque range
LF-23	11	8.8	20	50-200gf.cm
Shell	Gear	Sealing	Damper Oil	The Maximum Rotation angel
PC	POM	Silica gel	Silicone oil	360

Notes:

1.Nominal torque is measures value under temperature of 23

, humidity of 80% ,rotation speed of test rack motor of 36r/m after damper rotates for 5 cycles;

2. Provide customized torque by changing visicousity of damper grease;

3. The maximum operating temperature scope of damper: -20°-70°.

Http:www.rotarydamper-china.com **Tel:** 86-0769-8914567 **Email:**sales@longji-lf.com